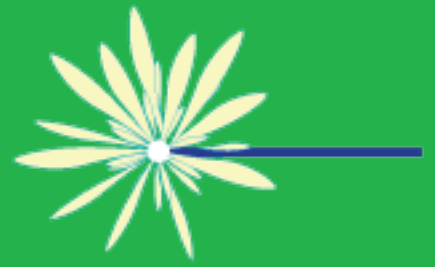


Petro Explo

Initiating Explosive Systems



PetroDet - E045

Instantaneous Electric Detonator (RJ045)

Detonator Specifications:

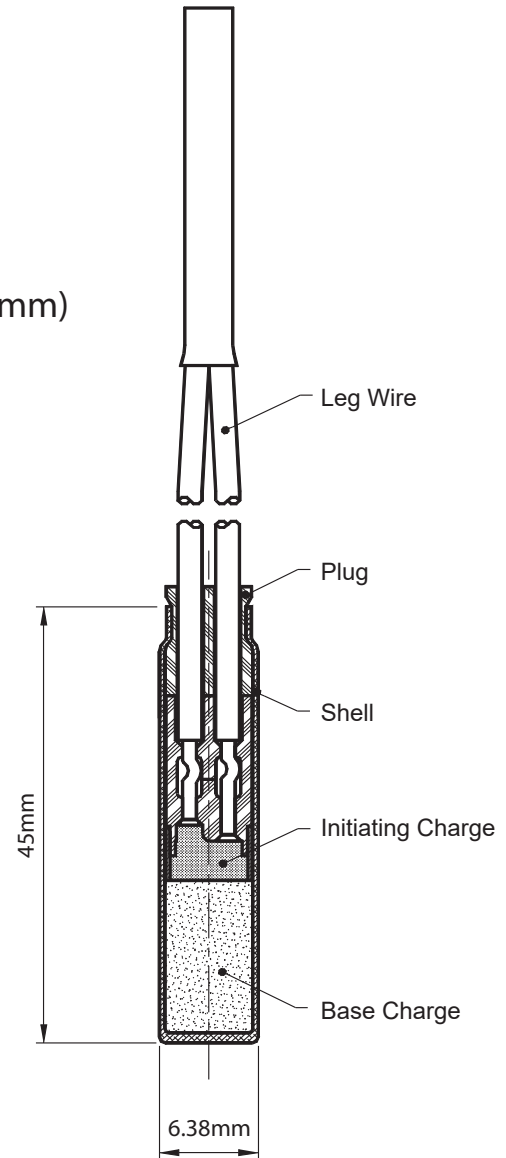
Nominal Base Charge:	350mg RDX output charge
Initiating Charge:	150 mg Lead Azide
Shell Material:	Aluminum
Shell Diameter:	0.25" (6.38mm) max
Shell Length:	1.79" (45.7mm) max
Plug:	PVC
Leg Wires:	Copper wire 5 m length, 24 gauge (0.51 mm) red and yellow PVC insulated

Firing Specifications:

Temperature Rating:	167°F (75°C) @ 2 hour
All Fire Current:	1200 mA
No Fire Current:	800 mA @ 1 minutes
Firing Energy:	13.0 mWs/ohm minimum
Leg to Leg Resistance:	1.5 ohm maximum
Hydrostatic Resistance:	29 PSI @ 2 hours (2kgf/cm ²)

Shipping Information:

Proper Shipping Name:	Detonators, Electric, UN 0255, PGII, 1.4B
Part Number:	PetroDet-E045 PE4129
EX Number:	2014010900
Quantity:	50 Units per case
Size:	14 x 14 x 7" (358 x 358 x 185 mm)
Gross Weight:	8.37 lb (3.8 kg)
Net Weight:	4.52 lb (2.05 kg)
Net Explosive Content:	0.0250 kg/box (0.0005 kg/unit)



Please be sure to read, understand, and follow all safety directions before handling this product. These types of detonators are designed to detonate when a small amount of electrical current is applied. Side initiating is not recommended with this product. Petro-Explo, Inc. is not responsible for any damages done by the mishandling of this or any of our products. Please follow the Do's and Don'ts that are located in the top of box.

Petro-Explo, Inc • 7650 US Hwy 287 #100 Arlington TX 76001 • P 817-478-8888 800-588-8282 • PetroExplo.com • info@petroexplo.com

The product specifications above are for informational purposes only. For more detailed information contact us at the number above or by email. You can download the SDS from PetroExplo.com