

# Petro Explo

## Initiating Explosive Systems



### RJ-045

## Instantaneous Electric Detonator

#### Detonator Specifications:

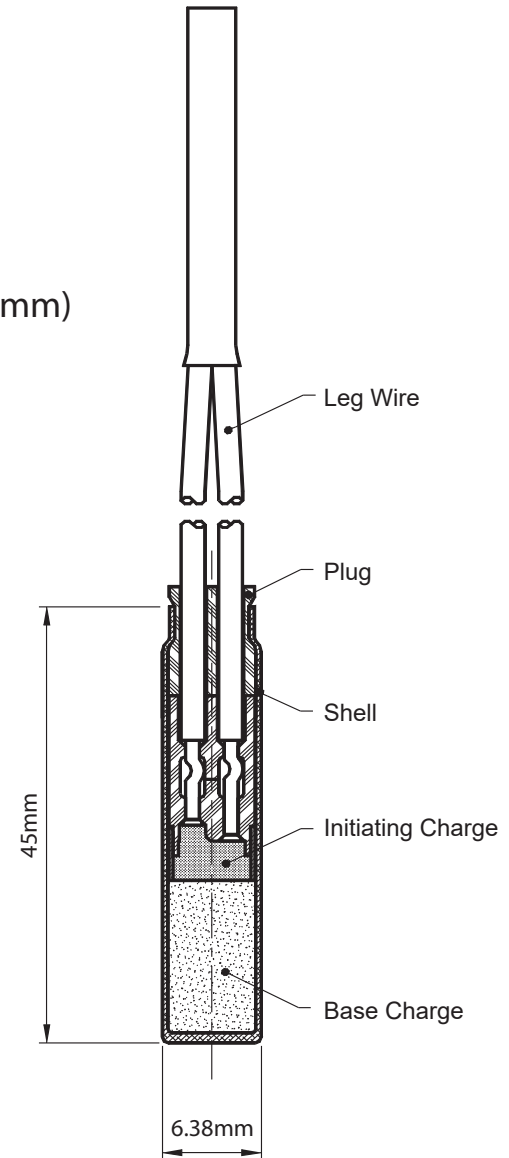
Nominal Base Charge:	350mg RDX output charge
Initiating Charge:	150 mg Lead Azide
Shell Material:	Aluminum
Shell Diameter:	0.25" (6.38mm) max
Shell Length:	1.79" (45.7mm) max
Plug:	PVC
Leg Wires:	Copper wire 5 m length, 24 gauge (0.51 mm) red and yellow PVC insulated

#### Firing Specifications:

Temperature Rating:	167°F (75°C) @ 2 hour
All Fire Current:	1200 mA
No Fire Current:	800 mA @ 1 minutes
Firing Energy:	13.0 mWs/ohm minimum
Leg to Leg Resistance:	1.5 ohm maximum
Hydrostatic Resistance:	29 PSI @ 2 hours (2kgf/cm <sup>2</sup> )

#### Shipping Information:

Proper Shipping Name:	Detonators, Electric, UN 0255, PGII, 1.4B
Part Number:	RJ-045 (A4-045A)
EX Number:	2014010900
Quantity:	50 Units per case
Size:	14 x 14 x 7" (358 x 358 x 185 mm)
Gross Weight:	8.37 lb (3.8 kg)
Net Weight:	4.52 lb (2.05 kg)
Net Explosive Content:	0.0250 kg/box ( 0.0005 kg/unit)



Please be sure to read, understand and follow all safety directions before handling this product. These types of detonators are designed to detonate when a small amount of electrical current is applied. Side initiating is not recommended with this product. Petro-Explo, Inc. is not responsible for any damages done by mishandling of this or any of our products. Please follow the Do's and Don'ts that are located in the top of box.

Petro-Explo, Inc • 7650 US Hwy 287 #100 Arlington TX 76001 • P 817-478-8888 800-588-8282 • PetroExplo.com • info@petroexplo.com

The product specifications above are for informational purposes only. For more detailed information contact us at the number above or by email. You can download the SDS from PetroExplo.com