



RJ-215



RESISTORIZED RDX ELECTRIC DETONATOR RJ-215 OIL AND GAS WELL APPLICATIONS

Detonator Specifications

Nominal Base Charge	7,7 grain (500 mg) RDX output charge
Initiating Charge	3,0 grain (200 mg) Lead Azide
Shell Material	Aluminium
Shell Diameter	0,275" (7,1 mm)
Shell Length	1,180" (30 mm)
Plug	Silicon Rubber
Leg Wires	Four feet length (1,22 m) copper wire gauge 21 (0,68 mm) Nylon insulated black color

Firing Specifications

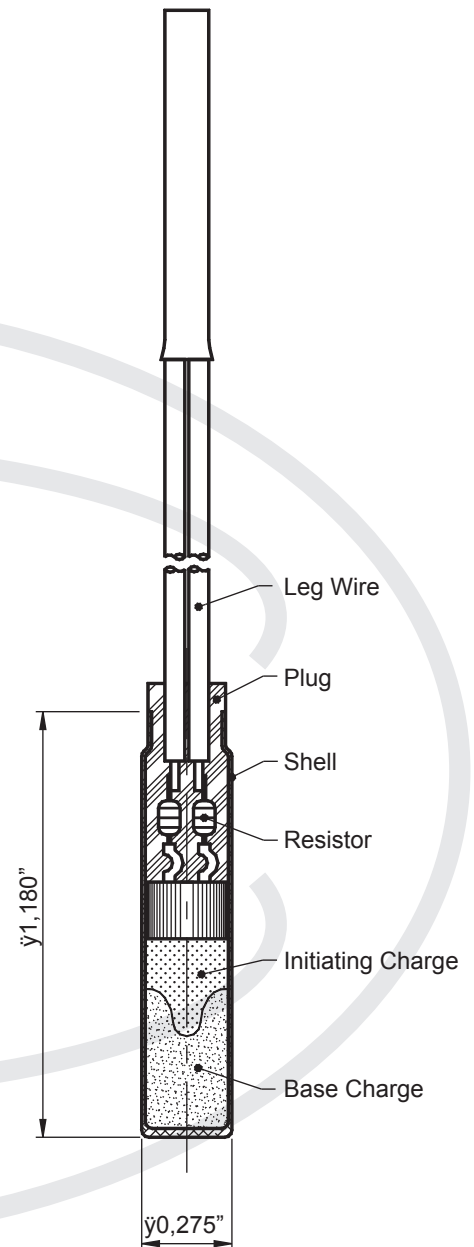
Temperature Rating	2 Hr @ 325°F (163°C)
All Fire Current	800 mA
No Fire Current	200 mA
Resistor	Two 27 ohm resistors in series with bridge wire
Resistance	Overall circuit resistance rating of 54 ohm minimum

Shipping Information

Proper Shipping Name	Detonators, Electric, UN 0255, PG II, Class 1.4B
Quantity	50 Electric Detonators per fiberboard box
Package Size	14" x 14" x 7" (358 x 358 x 179 mm)
Volume	0,81 ft ³ (0,022 m ³)
Gross Weight	5,64 lb (2,56 kg)
Net Weight	1,43 lb (0,65 kg)
Net Weight Explosive Content	535 grains (0,035 kg)

STORAGE

RJ-215® must be stored in a dry, ventilated magazine and away from explosives and flammable products, according to applicable legislation. When kept in its original package and properly stored, the shelf life is five (5) years.



Petro-Explo, Inc.

7650 U.S. Hwy. 287, #100, Arlington, Texas 76001
Phone: 817-478-8888 800-588-8282 Fax: 817-478-8891
info@petroexplo.com